



LPC - Lincat Lynx 400 Pizzachef Electric Counter-top Infra-Red Grill with Rod Shelf - W 552 mm - 3.0 kW

Producing perfect pizzas and paninis every time, the 3kW Lynx 400 Pizzachef Infra Red Grill heats up rapidly and saves energy as you only need to switch it on when you need it.

- ✔ Pizza Chef salamander grill perfect for pizzas and toasted sandwiches
- ✔ Rapid heat up - save energy by switching on just when you need to use it
- ✔ Variable heat control of lower elements
- ✔ Even heat provides maximum output
- ✔ Accurate electrical timer for precise cooking control
- ✔ Enamel fascia for easy cleaning
- ✔ Six clip-in, user-changeable quartz infrared elements
- ✔ Rod shelf with stay cool handle, supplied as standard
- ✔ Plug and play for an easy installation

Specifications

Summary	Power and Performance
---------	-----------------------

Brand	Lincat	Total Power kW	3.0
Range	Lynx 400	IP Rating	IP23
Power Type	Electric	Temperature Control	Mechanical
Unit Type	Counter-top		
Available in UK Only	No		
UK Warranty	2 Years Parts and Labour Warranty		
Export Warranty	Contact your local dealer		
GTIN	5056105101208		

Key Specifications	Capacity
--------------------	----------

Number of Shelves included	1	Product Output per Hour	216 toast slices, 96 toasted sandwiches, 28 x 9" [
Number of Shelf Positions	1		
Number of Heat Zones	1		

Weights and Dimensions	Supply Connections
------------------------	--------------------

Unit Height (External) mm	325	Requires Installation	No
Unit Width (External) mm	552	UK 3 Pin Plug	Yes
Unit Depth (External) mm	302	Requires Hardwiring	No
Shelf Dimensions Width mm	460	Electrical Supply Rating Watts	3,000
Shelf Dimensions Depth mm	270	Single Phase Amps	13.00
Net Weight Kg	12.1	Single Phase Voltage	230

Shipping

Packed Weight Kg	13.31
Packed Height cm	49.5
Packed Width cm	70
Packed Depth cm	55

Available Accessories

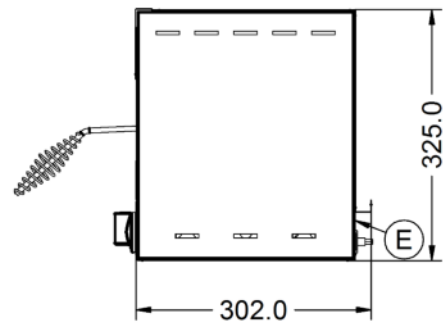
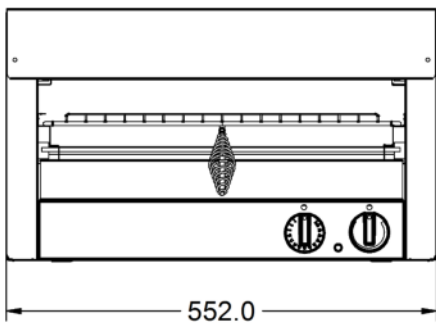
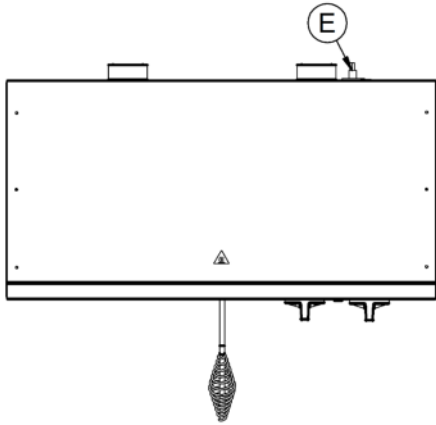
BR15	Wall Bracket for LGT/GR3
-------------	--------------------------

Available Accessories

TO10

NULL

Technical Picture





Lincat Limited

Whisby Road,
Lincoln, LN6 3QZ,
United Kingdom

Company No: 2175448

A member company of



Customer Care

Tel: +44 1522 875500
Email: care@lincat.co.uk

Export Customers

Tel: +44 1522 875536
Email: export@lincat.co.uk

Opening Hours

Monday – Friday:
8.30am – 5pm