



WMB3F/B - Lincat FilterFlow WMB Wall Mounted Automatic Fill Boiler - Black Glass - W 300 mm - 3.0 kW

The FilterFlow Automatic Wall Mounted Water Boiler is designed for small spaces and provides hot water on tap 24/7 as well as a built-in water filtration system.

- ✓ Exceptionally compact wall mounted design, perfect for locations with limited space
- ✓ High quality boiling water on tap 24 hours a day
- ✓ Built-in water filtration system improves water quality and reduces scale build-up
- ✓ Dispense temperature can be reduced to 70°C, perfect for delicate speciality teas
- ✓ High volume, easy change FilterFlow cartridge
- ✓ Allows extra room underneath the tap for larger cups, teapots, jugs and airpots to be filled
- ✓ Advanced diagnostics with LCD panel showing boiler status
- ✓ Cool-to-touch 6mm thick toughened glass fascia to withstand hard knocks

Specifications

Summary

Brand	Lincat
Range	FilterFlow
Series	WMB Wall-mounted Boiler
Power Type	Electric
Unit Type	Wall-mounted
Available in UK Only	No
UK Warranty	2 Years Parts and Labour Warranty
Export Warranty	Contact your local dealer
GTIN	5056105101406

Power and Performance

Total Power kW	3.0
Temperature Range °C	70-96
IP Rating	IP23
Hourly Output Litres	31
Hourly Output Cups	205

Key Specifications

Outlet	Single Tap
Dispense Lock	No

Capacity

Hot and Cold Water Output	No
Rapid Draw Off Litres	3.5
Rapid Draw Off Cups	23
Capacity Litres	3.5

Weights and Dimensions

Unit Height (External) mm	413
Unit Width (External) mm	300
Unit Depth (External) mm	184
Net Weight Kg	8.7

Supply Connections

Requires Installation	Yes
Requires Electrical Supply	Yes
UK 3 Pin Plug	No
Requires Hardwiring	Yes
Electrical Supply Rating Watts	3,000
Single Phase Amps	13
Single Phase Voltage	230
Water Connection Pressure Bar	1.0-8.0
Water Connection	3/4"

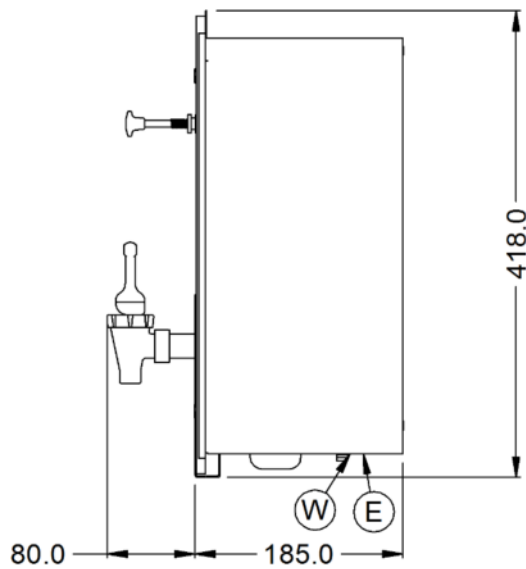
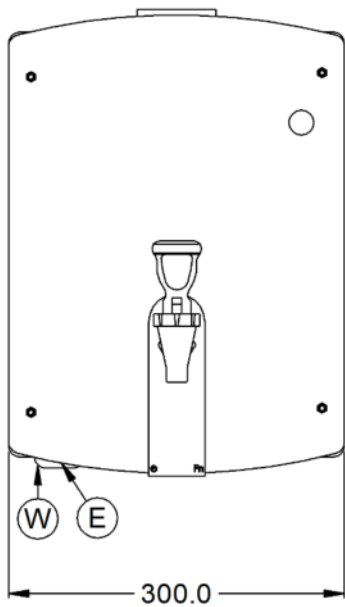
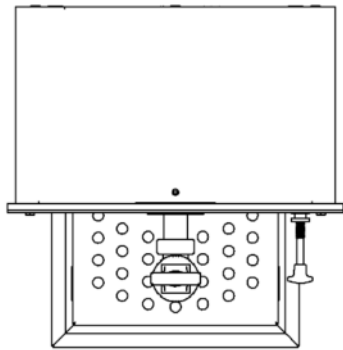
Shipping

Packed Weight Kg	9.57
Packed Height cm	42
Packed Width cm	48
Packed Depth cm	38

Available Accessories

DP10	Descaler Powder
DR72	Drip Tray for FilterFlow WMB3F & WMB5F
FC02	Filter Cartridge for Lincat FilterFlow Water Boiler

Technical Picture





Lincat Limited

Whisby Road,
Lincoln, LN6 3QZ,
United Kingdom

Company No: 2175448

A member company of



Customer Care

Tel: +44 1522 875500
Email: care@lincat.co.uk

Export Customers

Tel: +44 1522 875536
Email: export@lincat.co.uk

Opening Hours

Monday – Friday:
8.30am – 5pm