



F68/121 - IMC Vulture 825 In-tabling Food Waste Disposer - 3 Phase [4 wire] - W 360 mm - 2.2 kW

Reliable, efficient, safe and easy to operate, the compact 825 Waste Disposer allows operators to quickly and effectively remove waste, to create a safer and cleaner kitchen.

- ✓ Fast and efficient disposal of up to 600kg of food waste per hour.
- ✓ Compact design, welded into tabling, for quick and easy loading.
- ✓ Handles up to 1350 covers per sitting - ideal for large kitchens.
- ✓ Manually reversible motor to extend operational life.
- ✓ For tough waste (red meat bones, cauliflower stalks and fish skins).
- ✓ Suitable for medium kitchens with three-phase, four-wire power supply.

Specifications

Summary

| | |
|-----------------------------|-----------------------------------|
| Brand | IMC |
| Range | Vulture |
| Series | 800 Series |
| Power Type | Electric |
| Unit Type | Welded into tabling |
| Available in UK Only | No |
| UK Warranty | 2 Years Parts and Labour Warranty |
| Export Warranty | Contact your local dealer |
| Mounting | In-tabling |
| GTIN | 5056105199625 |

Power and Performance

| | |
|-----------------------|------|
| Total Power kW | 2.2 |
| HP | 3 |
| IP Rating | IP55 |

Key Specifications

| | |
|------------------------|---------------------------------|
| Operator Safety | Interlocks |
| WRAS Approved | WRAS Compliant [if cistern fed] |
| Airbreak | No |

Capacity

| | |
|-----------------------------|-------------|
| Type of Waste | Tough waste |
| Covers Per Sitting | 1350 |
| Capacity Kg per Hour | 600 |

Weights and Dimensions

| | |
|----------------------------------|-----|
| Unit Height (External) mm | 783 |
| Unit Width (External) mm | 360 |
| Unit Depth (External) mm | 530 |
| Net Weight Kg | 51 |

Supply Connections

| | |
|---------------------------------------|---|
| Requires Installation | Yes |
| Requires Electrical Supply | Yes |
| UK 3 Pin Plug | No |
| Requires Hardwiring | Yes |
| Electrical Supply Rating Watts | 2200 |
| Three Phase Amps | 5.3 |
| Three Phase Voltage | 400 |
| Water Supplied From | Storage cistern |
| Water Connection Pressure Bar | 0.4 |
| Drain Connection | 2" BSP threaded flange, connected to 54mm piping; |
| Water Connection | 15mm |

Shipping

| | |
|-------------------------|------|
| Packed Weight Kg | 56.1 |
| Packed Height cm | 104 |
| Packed Width cm | 63 |
| Packed Depth cm | 48 |

Available Options

MAG CUTLERY SAVER

VS167

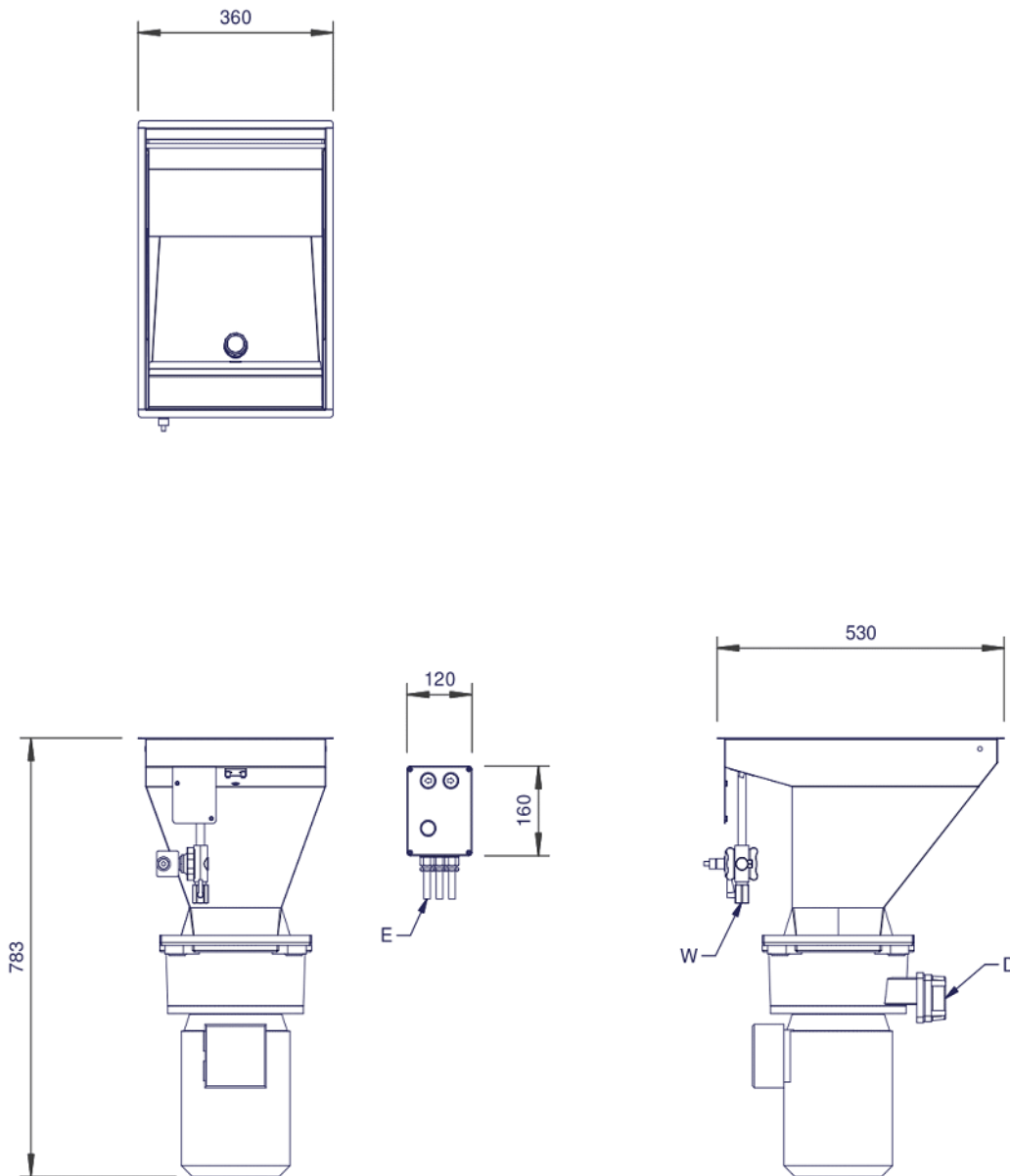
700/800/904/904X MAGNETIC CUTLERY SAVER

WATER FLOW CONTROL

VS357

825 WATER FLOW CONTROL

Technical Picture





Lincat Limited

Whisby Road,
Lincoln, LN6 3QZ,
United Kingdom

Company No: 2175448

A member company of



Customer Care

Tel: +44 1522 875500
Email: care@lincat.co.uk

Export Customers

Tel: +44 1522 875536
Email: export@lincat.co.uk

Opening Hours

Monday – Friday:
8.30am – 5pm