



F68/323 - IMC Vulture 825 Free-standing Dump Station Food Waste Disposer - 3 Phase [5 wire][air break]- W 600 mm - 2.2 kW

Reliable, efficient, safe and easy to operate, the 825DS Dump Station allows operators to quickly and effectively remove waste, to create a safer and cleaner kitchen.

- ✓ Fast and efficient disposal of up to 600kg of food waste per hour.
- ✓ Manually reversible motor to extend operational life.
- ✓ Handles up to 1350 covers per sitting - ideal for large kitchens.
- ✓ With class A airbreak kit - recommended when connecting to a mains water supply.
- ✓ For tough waste (red meat bones, cauliflower stalks and fish skins).
- ✓ Suitable for large kitchens with three-phase, five-wire power supply.

Specifications

Summary

Brand	IMC
Range	Vulture
Series	800 Series
Power Type	Electric
Unit Type	Free-standing
Available in UK Only	No
UK Warranty	2 Years Parts and Labour Warranty
Export Warranty	Contact your local dealer
Mounting	Free-standing
GTIN	5056105199595

Power and Performance

Total Power kW	2.2
HP	3
IP Rating	IP55

Key Specifications

Operator Safety	Interlocks
WRAS Approved	WRAS Compliant
Airbreak	Yes

Capacity

Type of Waste	Tough waste
Covers Per Sitting	1350
Capacity Kg per Hour	700

Weights and Dimensions

Unit Height (External) mm	1700
Unit Width (External) mm	600
Unit Depth (External) mm	700
Net Weight Kg	0

Supply Connections

Requires Installation	Yes
Requires Electrical Supply	Yes
UK 3 Pin Plug	No
Requires Hardwiring	Yes
Electrical Supply Rating Watts	2200
Three Phase Amps	5.3
Three Phase Voltage	400
Water Supplied From	Mains or storage cistern
Water Connection Pressure Bar	0.4
Drain Connection	2" BSP threaded flange, connected to 54mm piping;
Water Connection	15mm

Shipping

Packed Weight Kg	0
Packed Height cm	0
Packed Width cm	0
Packed Depth cm	0

Available Options

SIDE PANEL

E68/014 825 DUMP STATION SIDE PANEL

MAG CUTLERY SAVER

VS167 700/800/904/904X MAGNETIC CUTLERY SAVER

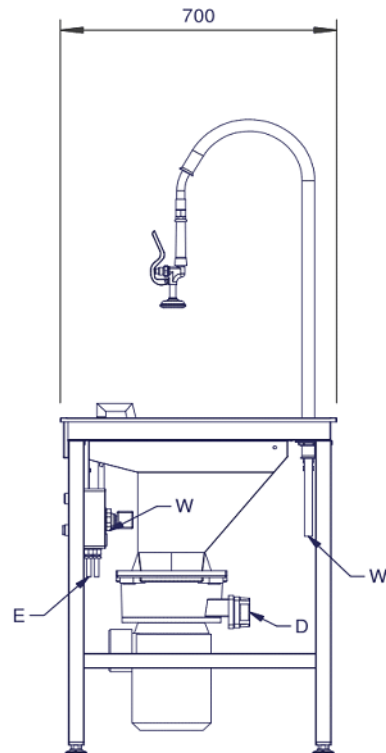
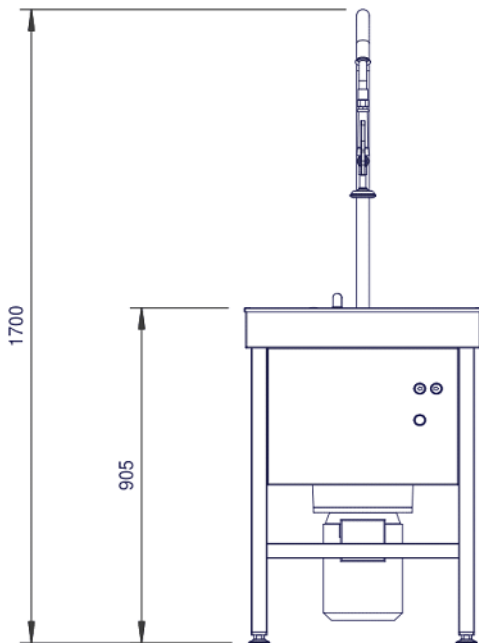
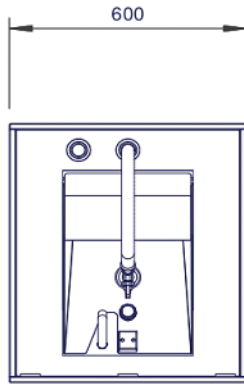
REMOTE CONTROL BOX

VS258 825 DUMP STATION/826 REMOTE CONTROL BOX

WATER FLOW CONTROL

VS357 825 WATER FLOW CONTROL

Technical Picture



Lincat Limited

Whisby Road,
Lincoln, LN6 3QZ,
United Kingdom

Company No: 2175448

A member company of



Customer Care

Tel: +44 1522 875500
Email: care@lincat.co.uk

Export Customers

Tel: +44 1522 875536
Email: export@lincat.co.uk

Opening Hours

Monday – Friday:
8.30am – 5pm