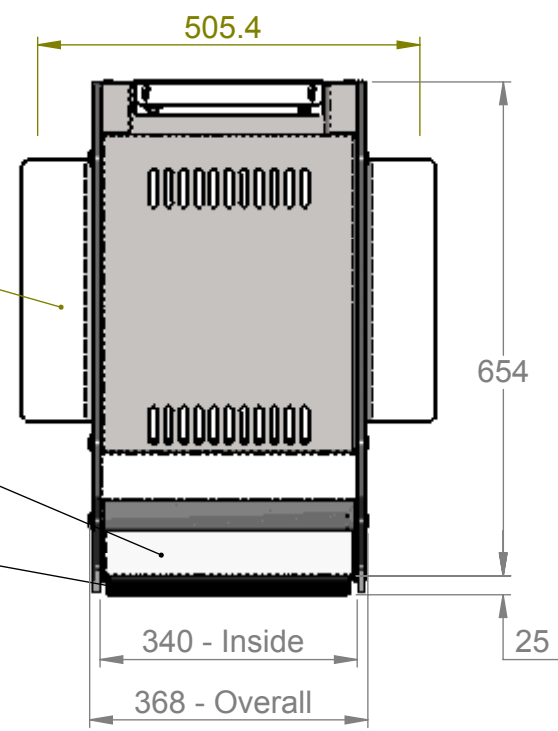


Stabilizers.
Note - Can be removed if display fixed to rear wall

Stainless steel worktop

Black bumper strip

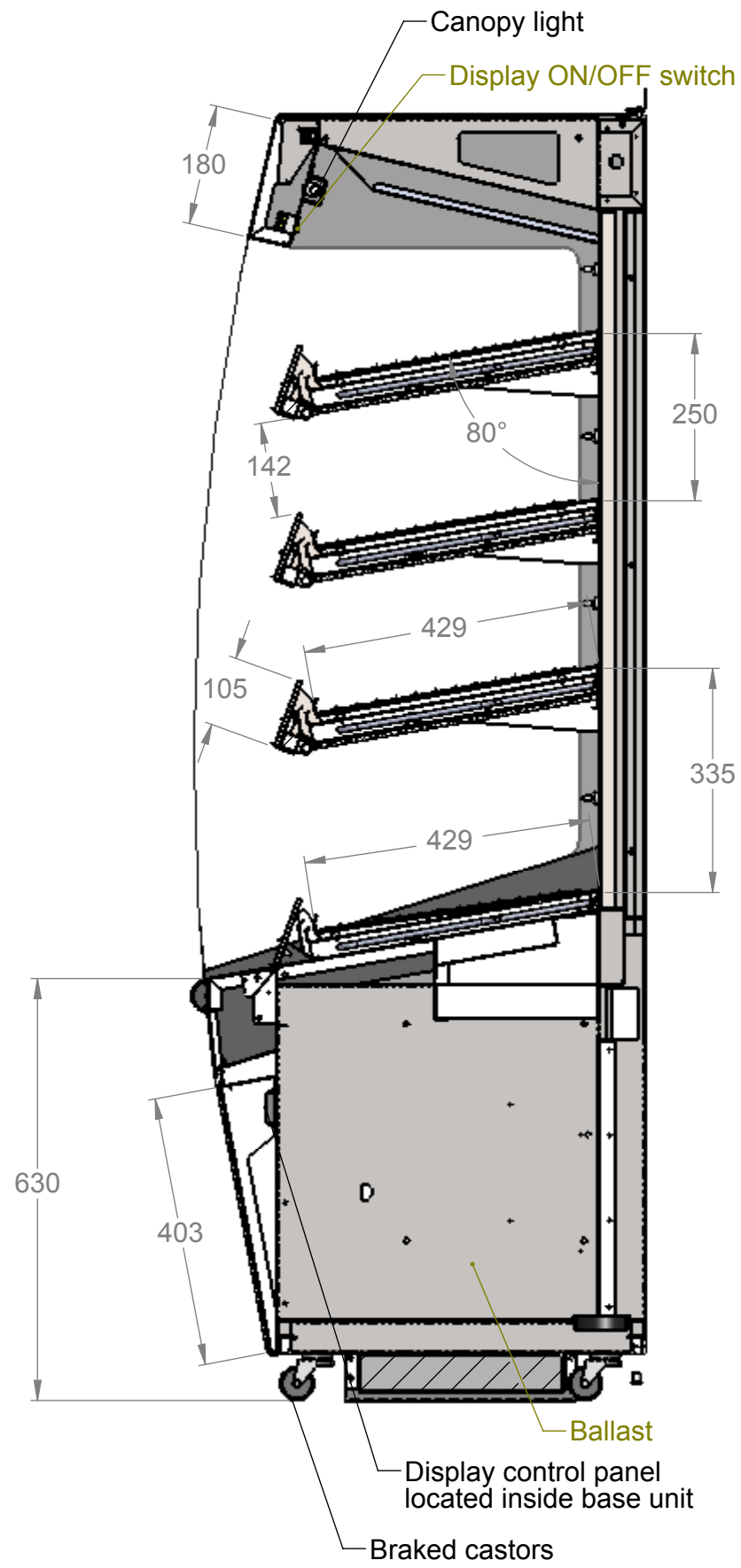


Plan

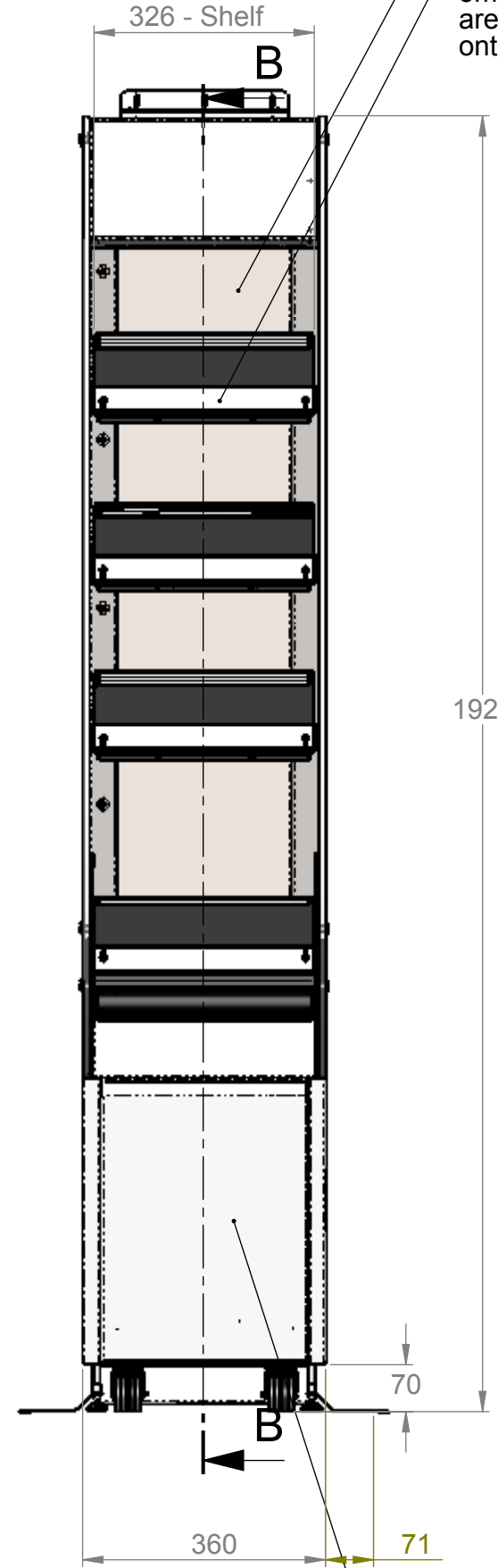
Bright polished rear panel

5mm Black perspex heat guard/product stop area with stainless steel ticket strip mounted onto front at all levels

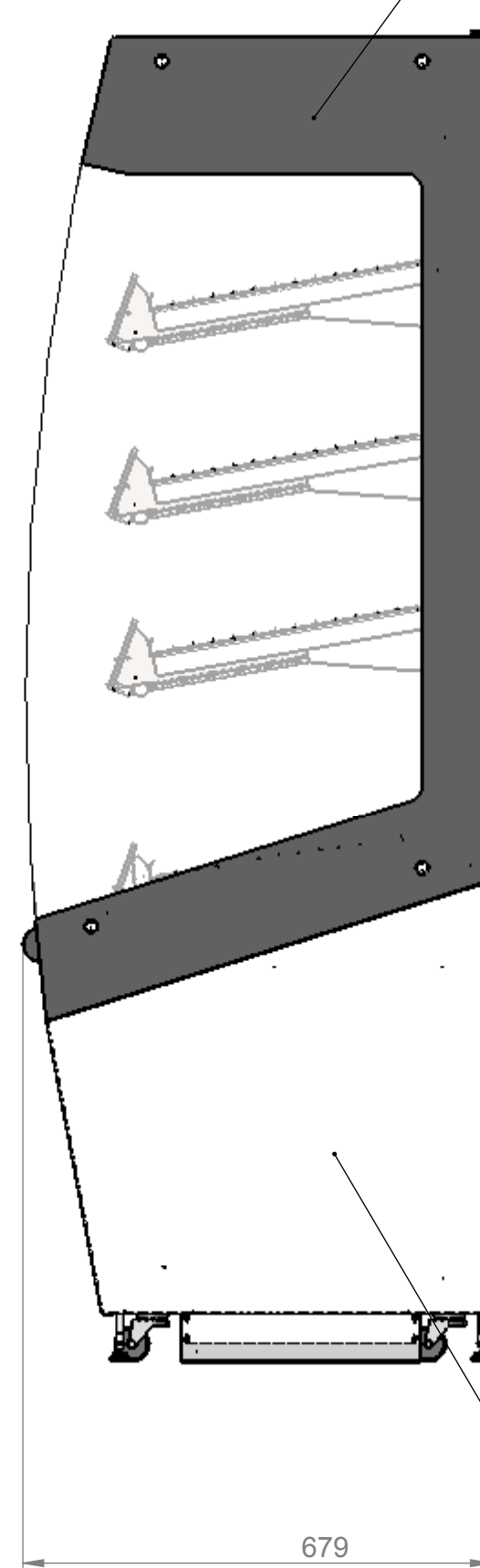
Black painted area on 10mm glass



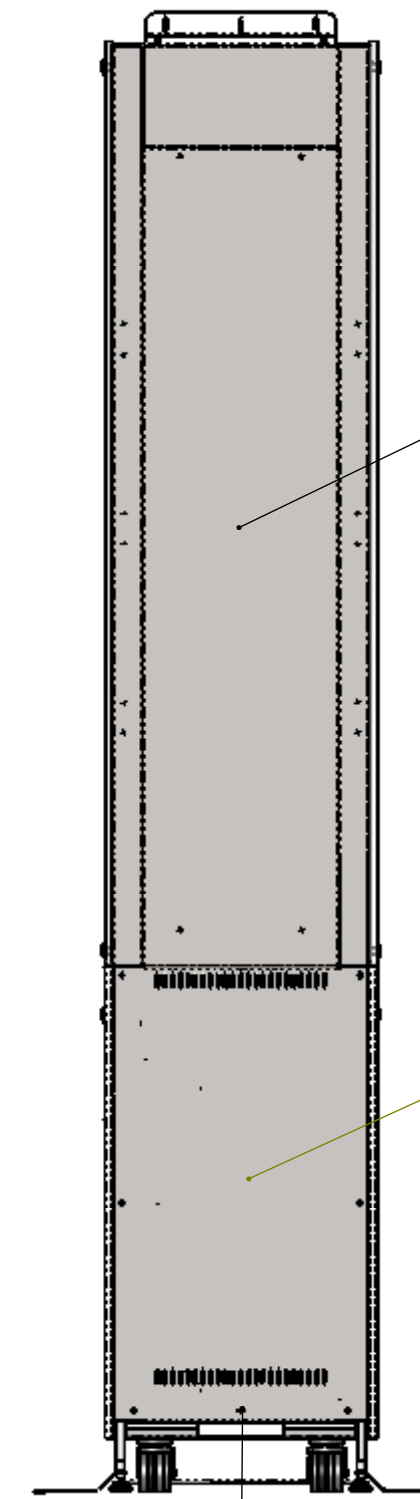
SECTION B-B



Front elevation



End elevation



Rear elevation

Fixed rear panel

Service access panel

Satin stainless end panels

Display lead exit position central to the rear

Hinged fascia panel opens forward for access to controls

ELECTRICAL SUPPLY - 13 Amp 230 Volt (1.6Kw)
Display supplied with 13 Amp plugtop on 1500 long lead
Weight : 155kg

Assembly No - EHF360

Issue	Date	Description
Randles Rd, Knowsley Business Park, Merseyside L34 9HZ. Tel: 0151 548 2211 Fax: 0151 549 2179		
Title: Experience - Heated Multi Level 360		
Drg No :	Issue:	Date: 30/08/2013
13-124--A		Scale: 1:10 @ A2
		Chk'd:
Drn by: G Burgess	All dims in MM	Date: