

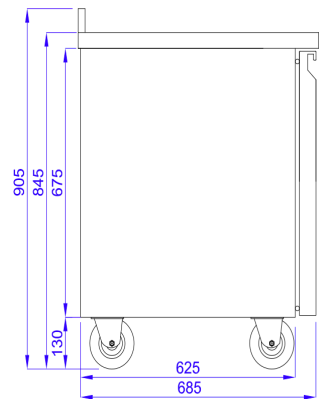
# Professional Range GN 1/1 Refrigerated Table

**Infri**  **PRO**

**AVAILABLE FROM NOV 2021**



**MR2300**



- Temp fridge: -2°C/+8°C
- Double internal fan
- Stainless steel externally/internally
- Castors
- Digital controller
- Electric defrost
- R290
- Supplied with 1 shelf per door
- Energy rating

\*Ambient temp 45°C + 65% RH

**Options**

- 1/1 GN Grills
- 1/1 GN Guides
- 2 Drawer Set
- 3 Drawers Set



**2 OR 3 DRAWER KIT**

Model	Dimensions ( L x D x H mm )	Door	Weight ( Kg )
MR2300G (S) S = Splash Back	2330 x 700 x 850	4	205

Please refer to manufacturers catalogue book for full product specifications and exact product colours

CHILLED & FROZEN STORAGE