

Glass Door Display

# GDM-23-HC~FGD01

 Upright Retail Merchandiser Refrigerator, 1 Full Glass Swing Door



Dimensions		Build		Technical	
External Width (mm)	686	Door Description	1 Full Glass Swing Door	Temperature Holding	0.5 : 3.3°C
External Depth (mm)	759	Door Opening	Right (standard) or Left.	Refrigerant	R290
External Height (mm)	1998	Exterior Construction	Stainless Steel/Aluminium front, Aluminium sides and rear	Voltage / Frequency / Phase	220-240V/50-60Hz/1
Exclusions	Depth does not include 42 mm for door handle or 13 mm for rear access panel.	Interior Construction	White coated aluminium, stainless steel base	Amps	2.4
Net Volume (Litres)	445	Air Intake Position	Front	Wattage	552
Gross Volume (Litres)	651	Ventilation Position	Rear	Temperature Class	M1
Display Area (m <sup>2</sup> )	0.74	Clearance Required	26 mm rear, zero sides	Operating Statement	Tested at 25°C, 60% RH, per 'Refrigerators with a Direct Sales Function' for perishable food merchandising.
Supplied Shelves	4	Cord Length (Meters)	2.74	Testing Standard	EN 23953
Shelf Size (L x D mm)	574 x 591	Internal Lighting	LED	EEC	A
Internal Net Height (mm)	1300	Standard w/ Locks	Not Standard. Options available.	EEl	9.2
Unpackaged Weight (kg)	128			kWh/24hr	1.842
Packaged Weight (kg)	139			kWh/Annum	672
Packaged Dimensions (W x D x H mm)	902 x 775 x 2134			Defrost Type	Auto
Supplied with	Product supplied with Levelling Screws. Optional castors sold separately.				



Specifications subject to change without notice.  
Chart dimensions rounded up to the next whole millimeter (inches rounded up to the 1/8")

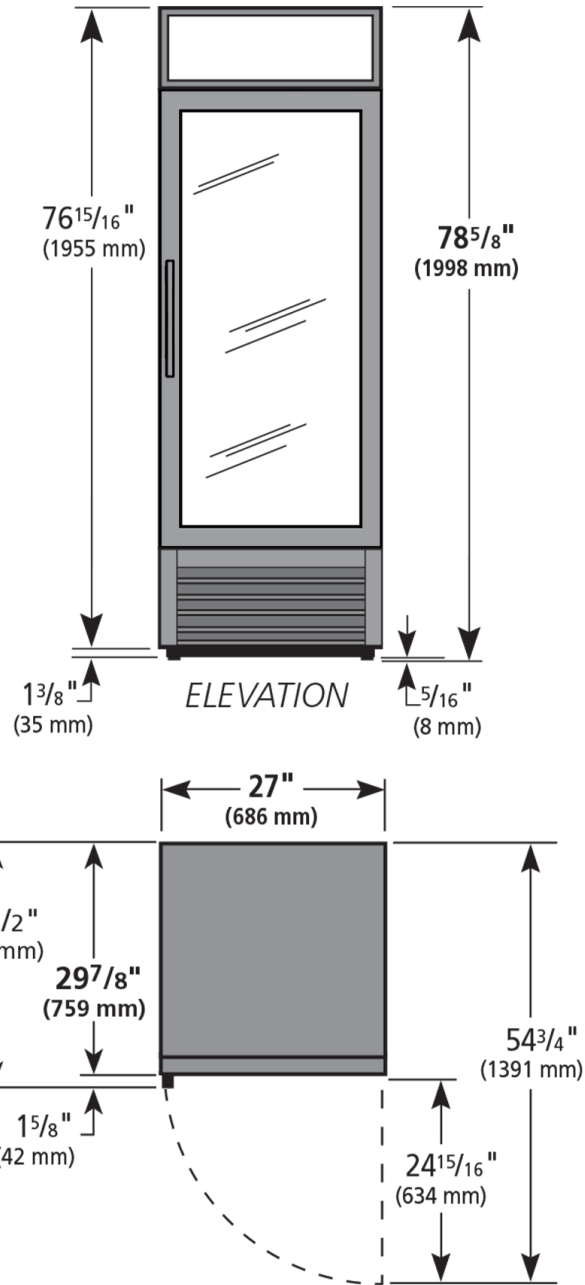
UK & Ireland [0800 783 2049](tel:08007832049)  
EMEA [+41 61 563 07 05](tel:+41615630705)  
Australia [+61 2 9619 9999](tel:+61296199999)

[TFIUK@truemfg.com](mailto:TFIUK@truemfg.com)  
[TrueCHCustomerService@truemfg.com](mailto:TrueCHCustomerService@truemfg.com)  
[TrueRefAus@truemfg.com](mailto:TrueRefAus@truemfg.com)



# GDM-23-HC~FGD01

🇬🇧 Upright Retail Merchandiser Refrigerator, 1 Full Glass Swing Door



Specifications subject to change without notice.  
Chart dimensions rounded up to the next whole millimeter (inches rounded up to the 1/8")

UK & Ireland 0800 783 2049  
EMEA +41 61 563 07 05  
Australia +61 2 9619 9999

[TFIUK@truemfg.com](mailto:TFIUK@truemfg.com)  
[TrueCHCustomerService@truemfg.com](mailto:TrueCHCustomerService@truemfg.com)  
[TrueRefAus@truemfg.com](mailto:TrueRefAus@truemfg.com)

